

## APPLICATION

CAD DW recessed access door is designed for use in acoustical, drywall, or tiled surfaces. The door panel is recessed 5/8" (15) to allow the insertion of various types of material. The outer frame has a galvanized drywall taping bead. Drywall cement can be applied over the beading at the same time as the wallboard joins and corners. It has a unique white finish.

## SPECIFICATIONS

**MATERIAL:** CAD DW Series is 16 gauge satin coat steel door and 16 gauge satin coat steel frame. The CAD-DWSS is 16 gauge #304 stainless steel door and frame.

**DOOR:** Recessed 5/8" (15) door pan to accept tile, drywall or other finishing materials

**FRAME:** Drywall corner bead on all sides

**HINGE:** Concealed pivot pins

**STANDARD LOCK:** Flush mounted, screwdriver operated cam

**OPTIONAL LOCK:** Allen key, cylinder key, or vandal resistant latch. All of MIFAB's cylinder key locks are keyed alike.

**FINISH:** Satin coat steel doors have a primed white finish. Stainless steel doors have a #4 brush satin finish

**PACKAGING:** Individual pack

SKU: **CAD DW**

## CEILING/WALL ACCESS DOOR

WITH DRYWALL BEAD

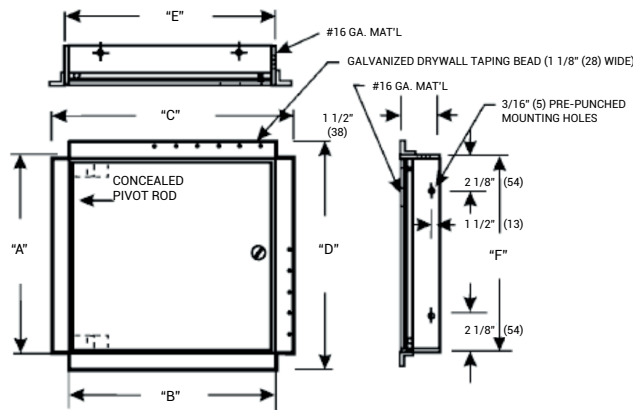


## DIMENSIONS AND APPEARANCE

>> CLICK TO VIEW ADDITIONAL DETAILS AND PRICING <<

### STANDARD SIZES:

'B' X 'A'	WALL OPENING	SHIP WEIGHT (LBS.)	LATCHES	MILD STEEL MODEL #	STAINLESS STEEL MODEL #
8" X 8"	8-3/16" X 8-3/16"	5.0	1	CAD-DW0808	CAD-DWSS0808
12" X 12"	12-3/16" X 12-3/16"	7.5	1	CAD-DW1212	CAD-DWSS1212
12" X 24"	12-3/16" X 24-3/16"	13.0	2	CAD-DW1224	CAD-DWSS1224
14" X 14"	14-3/16" X 14-3/16"	9.5	2	CAD-DW1414	CAD-DWSS1414
16" X 16"	16-3/16" X 16-3/16"	11.5	2	CAD-DW1616	CAD-DWSS1616
18" X 18"	18-3/16" X 18-3/16"	13.00	3	CAD-DW1818	CAD-DWSS1818
24" X 24"	24-3/16" X 24-3/16"	19.5	4	CAD-DW2424	CAD-DWSS2424
24" X 36"	24-3/16" X 36-3/16"	23.0	5	CAD-DW2436	CAD-DWSS2436



For detailed specifications see submittal sheet

(Dimension) Denotes Millimetres

Note: The hinge is always furnished on the "A" or height (longer) dimension, unless otherwise specified.

SUFFIX	OPTIONAL VARIATIONS
-A	Allen key lock
-BA	Buy American Act compliant product
-C	Cylinder key lock
-PA	Pennsylvania Steel Act compliant product
-VP	Vandal resistant hardware (VP Screwdriver included)
-WR	Water Resistant

A-B

Recess - Door Size - Minus 3/16" (4)

C-D

Overall Dimensions - Door Size -

Plus 2 1/4" (57)

E-F

Overall Dimensions - Door Size -

Plus 3/8" (9)

For a complete list of options visit [www.AccessDoorsAndPanels.com](http://www.AccessDoorsAndPanels.com)

## PROJECT DATA

Custom Sizes Available - Fast!

Scan or Click



To view Pricing and Additional Product Info.

PROJECT NAME :	QTY	W	H	OPTIONS
ARCHITECT :				
DEALER :				
CONTRACTOR :				
LOCATION :	SPECIAL INSTRUCTIONS :			
DATE :				
TAGGING INSTRUCTIONS :	SUBMITTAL APPROVAL : (signature or stamp)			

TELEPHONE:  
1-888-457-1275  
FAX:  
1-888-626-2907



PO BOX 66738 #76520,  
SAINT LOUIS, MO  
63166-6738  
USA



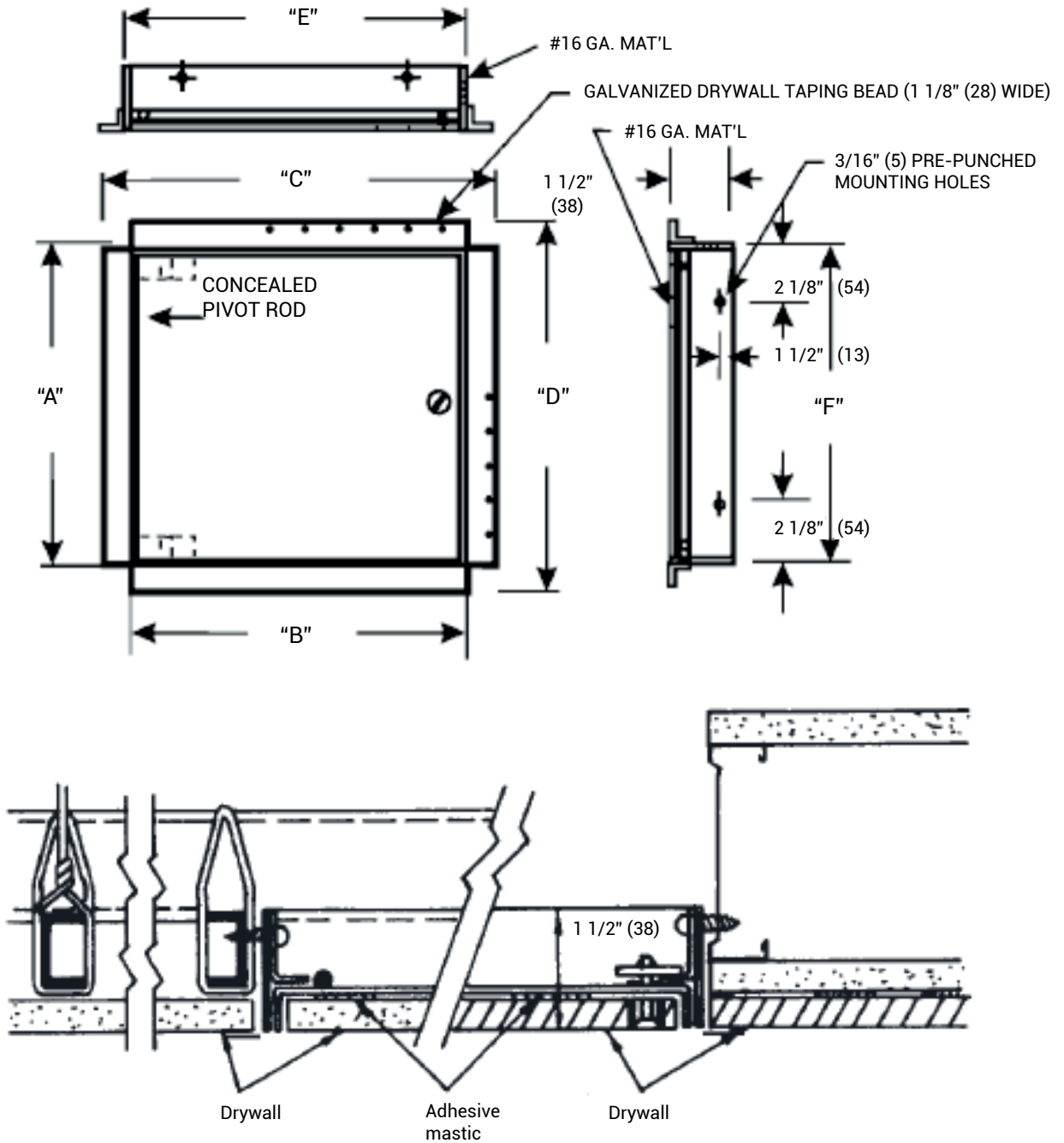
WEBSITE:  
[www.AccessDoorsAndPanels.com](http://www.AccessDoorsAndPanels.com)

E-MAIL:  
[info@AccessDoorsAndPanels.com](mailto:info@AccessDoorsAndPanels.com)



**CAD DW**

**CEILING OR WALL ACCESS DOOR WITH DRYWALL BEAD**



(Dimension) Denotes Millimetres  
 Note: The hinge is always furnished on the "A" or height (longer) dimension, unless otherwise specified.

CALIFORNIA PROPOSITION 65 WARNING.  
 This product contains chemicals known to the State of California to cause cancer and birth defects or other reproductive harm.